

FLAMEPROOF EX D • INCREASED SAFETY EX E • FOR INDOOR & OUTDOOR APPLICATIONS
FOR ARMoured CABLES • INNER & OUTER SEALING



Cable glands KTA type (code: KTA)

The sealing ring blocks the cable on the under armour diameter. The addition of the sealing ring on the outer sheath guarantees a complete protection of the cable armour. Cable glands KTA tested by triaxial method, according to IEC 62153-4-3, IEC 62153-4-4 standards. Metric cable glands are made according to EN 62444 standard. Maintenance and installation operations and product selection must be done in accordance with IEC EN 60079-14 and 17 standards.

Application fields Surface - Group II

Approvals / Certifications

ATEX certificate: INERIS 16 ATEX 0045X
 Type examination certificate: INERIS 17 ATEX 3004 (Ex nR IIC Gc)
 IECEx certificate: IECEx INE 16.0054X
 UKCA certificate: CML 21UKEX1592X
 UKCA certificate (Cat 3): CML 21UKEX1593X
 EAC certificate: НАСТХОЛ RU C-IT. АЯ45.В.00909
 CCC Ex NEPSI certificate: Nr. 2021322313003710

Protection type

Ex db IIC • Ex eb II (gas) • Ex tb IIIC (dusts)

EPL (Equipment protection level)

Zone 1-2: Gb, Gc gas
Zone 21-22: Db Dc combustible dusts

Execution

Ex db IIC • Ex eb II • Ex tb IIIC
 according to

ATEX: EN IEC 60079-0:2018 • EN 60079-1:2014 • EN IEC 60079-7:2015/A1:2018 • EN 60079-15:2010 • EN 60079-31:2014 • EN 60529:1991
IEC Ex: IEC 60079-0:2017 • IEC 60079-1:2014 • IEC 60079-7:2015/A1:2017 • IEC 60079-15:2017 • IEC 60079-31:2013 • IEC 60529:1989+A1:1999+A2:2013

Ambient temperatures in services: sealing washers materials

Silicone seals -60°C ÷ +80°C (code: **SI**)

Cable type

Armoured: Single armoured cable SWA, Aluminium wire armoured cable AWA, Aluminium strip armoured ASA. Single wire braided cable SWB, Steel tape armoured cable STA, Pliable wire armoured cable PWA. Screened flexible wire braided cable CY-SY.

Available materials

Brass (code: **OT**) • Nickel-plated brass (code: **ON**)
 AISI316L Stainless steel (code: **S6**) • Aluminium (code: **AL**)

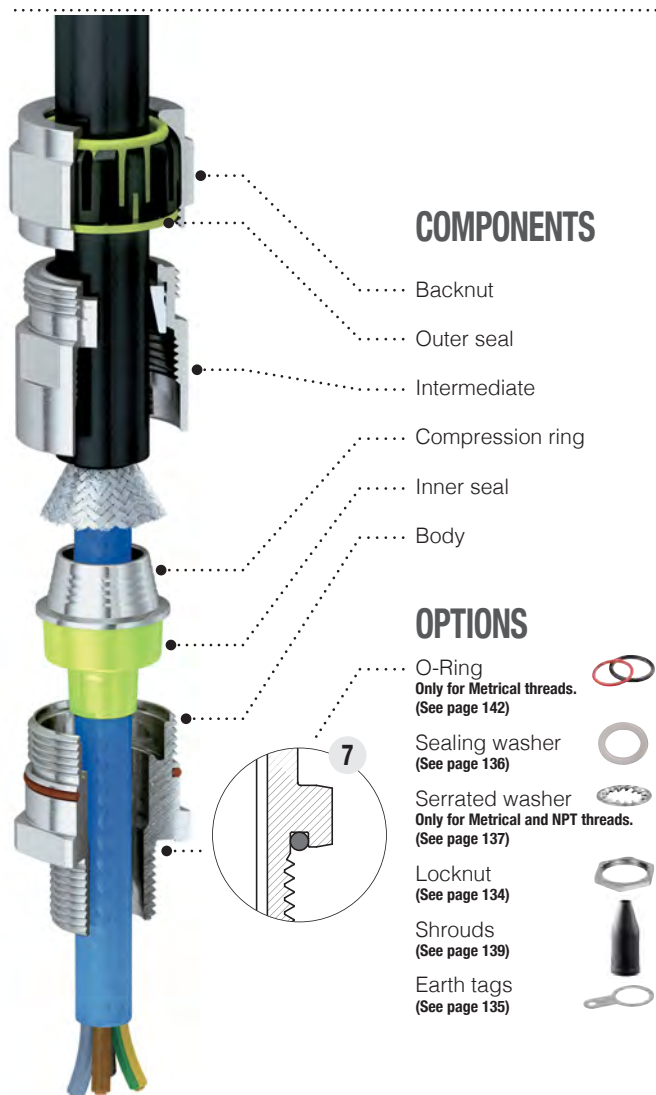
Available threads

ISO 262 Metrical
 ANSI B1.20.1 NPT
 Upon request:
 ISO 228
 DIN 40430 Pg
 EN 10226 Gk (only for ATEX)

Degree of protection

The degree of protection assured by the cable entries is **IP66** according to IEC/EN 60529 standard. For cable entries with cylindrical thread the degree of protection IP66 is assured by using either a flat silicone MVQ gasket or a flat PTFE gasket or a SILICONE MVQ O-ring. For cable entries with conical thread the degree of protection IP66 is assured by applying to the threading of sealing LOCTITE 241.

Metric cable glands are made in accordance to EN 62444 Standard.



COMPONENTS

- Backnut
- Outer seal
- Intermediate
- Compression ring
- Inner seal
- Body

OPTIONS

- O-Ring
Only for Metrical threads.
(See page 142)
- Sealing washer
(See page 136)
- Serrated washer
Only for Metrical and NPT threads.
(See page 137)
- Locknut
(See page 134)
- Shrouds
(See page 139)
- Earth tags
(See page 135)

EXAMPLE CODE

7

TECHNICAL DRAWING

KTA	25.	N25.	SI.	ON.	OR
Type	Size	Ø D Thread code	Seals material code	Material code	Optional code

See tab. page 19

Silicone

O-Ring

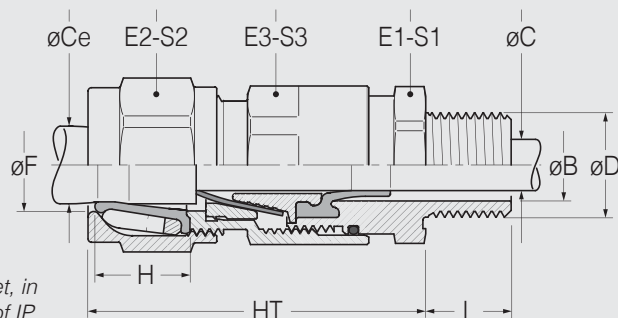
OT Brass

ON Nickel-plated brass

S6 AISI316L Stainless steel

AL Aluminium

Alternatively to the flat gasket, in order to ensure the degree of IP protection, it is possible to request the "O-Ring version" cable gland. **ISO metrical threads only**



SIZE	Ø D - THREADS		CODE	Ø C Min - Max	Ø CE Min - Max	ARMOUR RANGE	DIMENSIONS														
	Cylindrical ISO 262	Tapered NPT					Weight	øB	L	HT	H	F	E1	S1	E2	S2	E3	S3			
12	M12x1,5		KTA.12.I12.SI...	3,5 ÷ 7,4			139	7,4	15												
	M16x1,5		KTA.12.I16.SI...	3,5 ÷ 8			140	11,4	15												
		1/4"	KTA.12.N12.SI...	3,5 ÷ 7,4		6 ÷ 12	0 ÷ 1,25	144	7,4	15,5	54,5	15,2	16,3	22	24	26	28,6	22	23,8		
		3/8"	KTA.12.N16.SI...	3,5 ÷ 8				144	11,4	15,5											
16	M16x1,5		KTA.16.I16.SI...				147	11,4	15												
	M20x1,5		KTA.16.I20.SI...	6,5 ÷ 11,2		9 ÷ 16,1	148	15,2	15												
		3/8"	KTA.16.N16.SI...				152	11,4	15,5	54,5	15,2	16,3	25	27,4	26	28,6	26	27,8			
		1/2"	KTA.16.N20.SI...				156	15,2	20												
20	M20x1,5		KTA.20.I20.SI...				205	15,2	15												
	M25x1,5		KTA.20.I25.SI...	7,5 ÷ 14,2		12,5 ÷ 20,2	201	19,8	15												
		1/2"	KTA.20.N20.SI...				214	15,2	20	58,7	17	20,8	30	33	31	34	30	31,9			
		3/4"	KTA.20.N25.SI...				216	19,8	20,5												
25	M25x1,5		KTA.25.I25.SI...	11 ÷ 19,8			309	19,8	15												
	M32x1,5		KTA.25.I32.SI...	11 ÷ 20		16,5 ÷ 26	306	26,6	15												
		3/4"	KTA.25.N25.SI...	11 ÷ 19,8			325	19,8	20,5	67	19,4	26,3	36	39	38	41	37	39,6			
		1"	KTA.25.N32.SI...	11 ÷ 20			334	26,1	25												
32	M32x1,5		KTA.32.I32.SI...	16 ÷ 26,5			505	26,6	15												
	M40x1,5		KTA.32.I40.SI...			21 ÷ 33,2	498	34,4	15												
		1"	KTA.32.N32.SI...	16 ÷ 26			540	26,1	25	77	22	33,4	45	49	48	51	45	47,7			
		1" 1/4	KTA.32.N40.SI...	16 ÷ 26,5			542	34,4	26												
40	M40x1,5		KTA.40.I40.SI...				687	34,4	15												
	M50x1,5		KTA.40.I50.SI...	22 ÷ 33,5		27,5 ÷ 41,3	679	44	15												
		1" 1/4	KTA.40.N40.SI...				732	34,4	26	79	24,2	41,6	55	60	58	63	53	55,7			
		1" 1/2	KTA.40.N50.SI...				758	40,5	26												
50	M50x1,5		KTA.50.I50.SI...	28 ÷ 44			1066	44	15												
	M63x1,5		KTA.50.I63.SI...	28 ÷ 44,8		35,6 ÷ 52,3	1044	56	15												
		1" 1/2	KTA.50.N50.SI...	28 ÷ 40,4			1133	40,5	26	93,6	27	52,6	68	74	70	74,5	65	67,7			
		2"	KTA.50.N63.SI...	28 ÷ 44,8			1066	52	27												
63	M63x1,5		KTA.63.I63.SI...	40 ÷ 56,5			1620	56,5	15												
	M75x1,5		KTA.63.I75.SI...			46 ÷ 65	1594	68	15												
		2"	KTA.63.N63.SI...	40 ÷ 52			1748	52	27	110,8	29,4	65,4	82	89	85	88	78	81,6			
		2" 1/2	KTA.63.N75.SI...	40 ÷ 56,5			1938	62,5	40												
75	M75x1,5		KTA.75.I75.SI...	51 ÷ 68,5			2463	68,5	15												
	M90x2		KTA.75.I90.SI...			56 ÷ 78	2468	82	20												
		2" 1/2	KTA.75.N75.SI...	51 ÷ 62,5			2688	62,5	40	115,7	31	78,5	100	109	100	104,8	93	97			
		3"	KTA.75.N90.SI...	51 ÷ 68,5			2842	78	41,5												
90	M90x2		KTA.90.I90.SI...				3320	82	20												
	M100x2		KTA.90.I100.SI...	62 ÷ 78		72 ÷ 90	3324	91	20												
		3"	KTA.90.N90.SI...				3850	78	41,5	121,4	31,2	91	110	119	115	119,4	105	109,8			
		3" 1/2	KTA.90.N100.SI...				3640	90	43												