

T Plugs



FLAMEPROOF EX D • INCREASED SAFETY EX E • FOR INDOOR & OUTDOOR APPLICATIONS

- 1 HEXAGON HEAD PLUGS** (code: T)
For cylindrical threads in Brass (code: OT), Nickel-plated brass (code: ON) and Aluminium (code: AL).



- 2 RECESSED PLUGS** (code: T)
For cylindrical threads in AISI316L Stainless steel (code: S6)



- 3 RECESSED PLUGS** (code: T)
For tapered threads in AISI316L Stainless steel (code: S6, OT, ON, AL)



EXAMPLE CODE

For ISO262, ISO228, DIN40430 thread type

For NPT, ISO10226 thread type

T.	I25.	ON	T.	N25.	Z.	ON
Plug Type	Thread code	Material code	Plug Type	Thread code	Recessed plug	Material code
OT	Brass	⋮				⋮
ON	Nickel-plated brass					
S6	AISI316L Stainless steel					
AL	Aluminium					

Plugs (code: T)

Plugs are used to temporarily or permanently close unused cable entries.

Main regulatory requirements:

The user has to use only one adaptor for the assembly of a cable entry. The user mustn't close an adaptor or a coupling with a plug. These accessories are intended for the assembly of a cable entry only. Accessories in aluminium are suitable only for Group II (Surface).

Application fields Surface - Group II • Mines - Group I

Approvals / Certifications

ATEX certificate: INERIS 12 ATEX 0089X
IEC Ex certificate: IEC Ex INE 10.0014X
UKCA certificate: CML 21UKEX1589X,
EAC certificate: НАСТХОЛ RU C-IT.АЯ45.В.00909
CCC Ex NEPSI certificate: Nr. 2021322313003705

Protection type

Ex db IIC • Ex eb II (gas) • Ex tb IIIC (dusts) • Ex db I • Ex eb I (mines)

EPL (Equipment protection level)

Zone 1-2: Mb mines • Gb, Gc gas

Zone 21-22: Db Dc combustible dusts

Execution

Ex db IIC • Ex eb II • Ex tb IIIC • Ex db I • Ex eb I Db according to

ATEX: EN IEC 60079-0:2018 • EN 60079-1:2014 • EN IEC 60079-7:2015/A1:2018 • EN 60079-15:2010 • EN 60079-31:2014 • EN 60529:1991

IEC Ex: IEC 60079-0:2017 • IEC 60079-1:2014 • IEC 60079-7:2015/A1:2017 • IEC 60079-15:2017 • IEC 60079-31:2013 • IEC 60529:1989+A1:1999+A2:2013

Ambient temperatures in services: sealing washers materials

Nylon sealing washer -40°C ÷ + 100°C
Silicone sealing washer -65°C ÷ + 220°C
PTFE sealing washer -65°C ÷ + 220°C
Without sealing washer -70°C ÷ +400°C

Available materials

Brass (code: OT) • Nickel-plated brass (code: ON)
AISI316L Stainless steel (code: S6) • Aluminium (code: AL)

Available threads

ISO 262 Metrical • ISO 228 • DIN 40430 Pg
ANSI B1.20.1 NPT • EN 10226 Gk (only for ATEX)

Degree of protection

The cable glands degree of protection is IP66 or IP66/68, 30-meters depth for 7 days according to the IEC EN 60529 standard; the degree of protection IP 68 is obtained by using flat sealing rings on cable glands with cylindrical threads. Without gaskets, the degree of protection is IP 66. If the cable glands with cylindrical or tapered threads are screwed on the threaded hole of an apparatus, in order to guarantee an IP66 or IP66/68 degree of protection, threaded parts must be sealed with Loctite or similar. In order to maintain the IPX8 degree of protection, the cable entry shall be fitted on enclosure witch satisfies an immersion test under 30 meters of water during 7 days. Metric cable glands are made in accordance to EN 62444 Standard.

TABLE OF PROTECTION MODES - PLUGS

THREAD SIZE	THREAD TYPE	MATERIAL	EX EB PROTECTION MODE	EX DB PROTECTION MODE
From 1/8" to 1/4"	NPT / ISO 10226	Brass	Y	N
From 3/8" to 3"	NPT / ISO 10226	Brass	Y	Y
From 1/8" to 1/4"	NPT / ISO 10226	Nickel plated brass	Y	N
From 3/8" to 3"	NPT / ISO 10226	Nickel plated brass	Y	Y
From 1/8" to 1/4"	NPT / ISO 10226	AISI 316 L	Y	N
From 3/8" to 3"	NPT / ISO 10226	AISI 316 L	Y	Y
From 1/8" to 1/2"	NPT / ISO 10226	Aluminum	Y	N
From 3/4" to 1"1/2"	NPT / ISO 10226	Aluminum	Y	Y
From 2" to 2"1/2"	NPT / ISO 10226	Aluminum	Y	N
3"	NPT / ISO 10226	Aluminum	Y	Y

TECHNICAL DRAWINGS & DIMENSIONS

1 HEXAGON HEAD PLUGS *For cylindrical and tapered threads - Brass, Nickel-pated brass and Aluminium*

CODE	ISO 262	L1	T1	CH1	E1
T.I12._	M12x1,5	15	5	16	18
T.I16._	M16x1,5	15	5	20	22
T.I20._	M20x1,5	15	5	24	26
T.I25._	M25x1,5	15	5	30	33
T.I32._	M32x1,5	15	5	36	40
T.I40._	M40x1,5	15	5	45	50
T.I50._	M50x1,5	15	8	55	60
T.I63._	M63x1,5	15	8	68	74
T.I75._	M75x1,5	20	8	80	86
T.I90._	M90x2	20	8	100	107

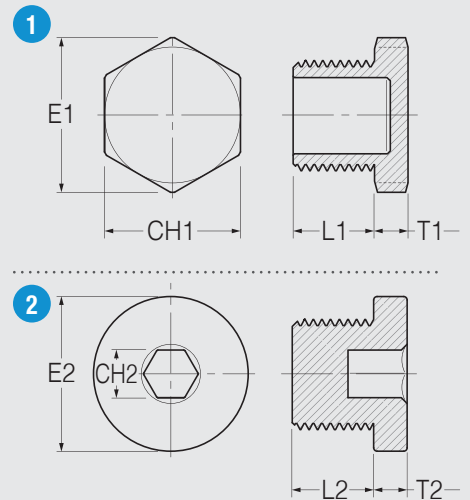
CODE	ISO 228	L1	T1	CH1	E1
T.B12._	1/4"	15	5	16	17,6
T.B16._	3/8"	15	5	24	26,4
T.B20._	1/2"	15	5	26	28,6
T.B25._	3/4"	15	5	30	33
T.B32._	1"	16	5	36	39,6
T.B40._	1"1/4	17	5	45	49,5
T.B50._	1"1/2	17	8	50	55
T.B63._	2"	18	8	68	74
T.B75._	2"1/2	20	8	80	86
T.B90._	3"	20	8	100	107

CODE	DIN 40430	L1	T	CH1	E1
T.P12._	Pg7	15	5	16	17,6
T.P16._	Pg9	15	5	20	22
T.P20._	Pg11	15	5	24	26,4
T.P25._	Pg13,5	15	5	26	28,6
T.P32._	Pg16	15	5	26	28,6
T.P40._	Pg21	15	5	32	35
T.P50._	Pg29	15	5	40	44
T.P63._	Pg36	15	8	50	55
T.P75._	Pg42	20	8	60	65
T.P90._	Pg48	20	8	68	74

3 RECESSED PLUGS *For tapered threads in Brass, Nickel-pated brass and Aluminium*

CODE	NPT	L3	CH3
T.N12.Z	1/4"	13	6
T.N16.Z	3/8"	13	10
T.N20.Z	1/2"	18	10
T.N25.Z	3/4"	18	10
T.N32.Z	1"	20	14
T.N40.Z	1"1/4	20	14
T.N50.Z	1"1/2	20	14
T.N63.Z	2"	22	14
T.N75.Z	2"1/2	30	14
T.N90.Z	3"	32	14

CODE	EN 10226	L3	CH3
T.R12.Z	1/4"	13	6
T.R16.Z	3/8"	13	10
T.R20.Z	1/2"	18	10
T.R25.Z	3/4"	18	10
T.R32.Z	1"	20	14
T.R40.Z	1"1/4	20	14
T.R50.Z	1"1/2	20	14
T.R63.Z	2"	22	14
T.R75.Z	2"1/2	30	14
T.R90.Z	3"	32	14



2 RECESSED PLUGS *For cylindrical threads in AISI316L Stainless steel*

CODE	ISO 262	L2	T2	CH2	E2
T.I12.S6	M12x1,5	15	6	6	18
T.I16.S6	M16x1,5	15	6	10	22
T.I20.S6	M20x1,5	15	6	10	26
T.I25.S6	M25x1,5	15	6	10	30
T.I32.S6	M32x1,5	15	6	14	40
T.I40.S6	M40x1,5	15	6	14	48
T.I50.S6	M50x1,5	15	6	14	60
T.I63.S6	M63x1,5	15	6	14	70
T.I75.S6	M75x1,5	20	8	14	80
T.I90.S6	M90x2	20	8	14	100

CODE	ISO 228	L2	T2	CH2	E2
T.B12.S6	1/4"	15	6	6	18
T.B16.S6	3/8"	15	6	10	22
T.B20.S6	1/2"	15	6	10	26
T.B25.S6	3/4"	15	6	10	30
T.B32.S6	1"	16	6	14	40
T.B40.S6	1"1/4	17	6	14	48
T.B50.S6	1"1/2	17	6	14	60
T.B63.S6	2"	18	6	14	65
T.B75.S6	2"1/2	20	8	14	80
T.B90.S6	3"	20	8	14	95

CODE	DIN 40430	L2	T2	CH2	E2
T.P12.S6	Pg7	15	6	6	18
T.P16.S6	Pg9	15	6	10	22
T.P20.S6	Pg11	15	6	10	26
T.P25.S6	Pg13,5	15	6	10	26
T.P32.S6	Pg16	15	6	14	30
T.P40.S6	Pg21	15	6	14	35
T.P50.S6	Pg29	15	6	14	45
T.P63.S6	Pg36	15	6	14	55
T.P75.S6	Pg42	20	8	14	60
T.P90.S6	Pg48	20	8	14	65

3 RECESSED PLUGS *For tapered threads in AISI316L Stainless steel, Brass, Nickel-pated brass and Aluminium*

CODE	NPT	L3	CH3
T.N12.Z.S6	1/4"	13	6
T.N16.Z.S6	3/8"	13	10
T.N20.Z.S6	1/2"	18	10
T.N25.Z.S6	3/4"	18	10
T.N32.Z.S6	1"	20	14
T.N40.Z.S6	1"1/4	20	14
T.N50.Z.S6	1"1/2	20	14
T.N63.Z.S6	2"	22	14
T.N75.Z.S6	2"1/2	30	14
T.N90.Z.S6	3"	32	14

CODE	EN 10226	L3	CH3
T.R12.Z.S6	1/4"	13	6
T.R16.Z.S6	3/8"	13	10
T.R20.Z.S6	1/2"	18	10
T.R25.Z.S6	3/4"	18	10
T.R32.Z.S6	1"	20	14
T.R40.Z.S6	1"1/4	20	14
T.R50.Z.S6	1"1/2	20	14
T.R63.Z.S6	2"	22	14
T.R75.Z.S6	2"1/2	30	14
T.R90.Z.S6	3"	32	14

