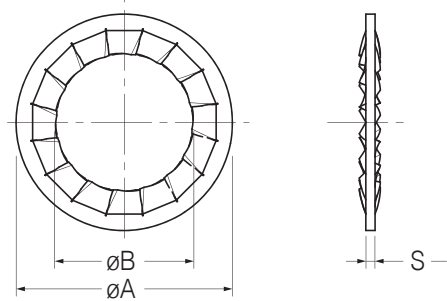


TECHNICAL DRAWING



Serrated washer (code: SW)

As prescribed by clause 6.4.1 of IEC/EN 60079-14, "connections shall be secure against self loosening". Serrated washers prevent self loosening behaviours caused by vibrations or impacts.

Serrated washers are normally fitted between the locknut and the wall of the enclosure as described on the installation guide on pages 154-155

EXAMPLE CODE

SW.	N25.	S6
Serrated washer code	Thread code	Material code
		• ⋮
S6	AISI316L Stainless steel	

CODE	ISO 262	ØA	ØB	S
SW.I16.S6	M16x1,5	26	17,5	1
SW.I20.S6	M20x1,5	33	21	1,5
SW.I25.S6	M25x1,5	38	25,5	1,5
SW.I32.S6	M32x1,5	48	33	1,5
SW.I40.S6	M40x1,5	58	40	1,5
SW.I50.S6	M50x1,5	66	51	1,5
SW.I63.S6	M63x1,5	80	64	1,5
SW.I75.S6	M75x1,5	95	76	1,5
SW.I90.S6	M90x2	110	90	1,5

CODE	ISO 262	ØA	ØB	S
SW.N16.S6	3/8" NPT	26	17,5	1
SW.N20.S6	1/2" NPT	33	21	1,5
SW.N25.S6	3/4" NPT	38	27	1,5
SW.N32.S6	1" NPT	48	34	1,5
SW.N40.S6	1"1/4 NPT	58	42	1,5
SW.N50.S6	1"1/2 NPT	66	51	1,5
SW.N63.S6	2" NPT	80	64	1,5
SW.N75.S6	2"1/2 NPT	101	76	1,5
SW.N90.S6	3" NPT	127	90	1,5