



### Earth tags (code: ET)

The earth tags are used to earth the protection and are installed between the cable gland and the electrical equipment.

### Available materials

Nickel-plated brass (code: **ON**)

AISI316L Stainless steel (code: **S6**)

## EXAMPLE CODE

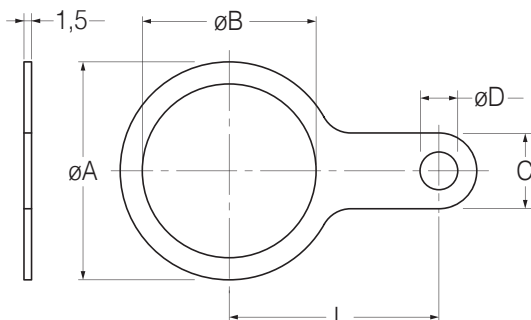
**ET. B75. ON**

Earth tag code	Thread code	Material code
ET	B75	ON

**ON** Nickel-plated brass

**S6** AISI316L Stainless steel

## TECHNICAL DRAWING



CODE	ISO 262	ØA	ØB	C	ØD	L
ET.I12._	M12x1,5	30	14	12	6,5	30
ET.I16._	M16x1,5	30	18	12	6,5	30
ET.I20._	M20x1,5	30	22	12	6,5	30
ET.I25._	M25x1,5	36	28	15	6,5	35
ET.I32._	M32x1,5	52	34	18	9	50
ET.I40._	M40x1,5	52	42	18	9	50
ET.I50._	M50x1,5	62	52	22	11	60
ET.I63._	M63x1,5	75	65	22	11	70
ET.I75._	M75x1,5	88	77	22	11	80
ET.I90._	M90x2	105	92	30	14	100

CODE	ISO 228	ØA	ØB	C	ØD	L
ET.B12._	1/4"	30	16	12	6,5	30
ET.B16._	3/8"	30	18	12	6,5	30
ET.B20._	1/2"	30	22	12	6,5	30
ET.B25._	3/4"	36	28	15	6,5	35
ET.B32._	1"	52	34	18	9	50
ET.B40._	1"1/4	52	43	18	9	50
ET.B50._	1"1/2	62	50	22	11	60
ET.B63._	2"	75	61	22	11	70
ET.B75._	2"1/2	88	77	22	11	80
ET.B90._	3"	105	90	30	14	100

CODE	DIN 40430	ØA	ØB	C	ØD	L
ET.P12._	Pg7	30	14	12	6,5	30
ET.P16._	Pg9	30	16	12	6,5	30
ET.P20._	Pg11	30	20	12	6,5	30
ET.P25._	Pg13,5	30	22	12	6,5	30
ET.P32._	Pg16	36	24	15	6,5	35
ET.P40._	Pg21	52	30	18	9	50
ET.P50._	Pg29	52	38	18	9	50
ET.P63._	Pg36	62	49	22	11	60
ET.P75._	Pg42	75	56	22	11	70
ET.P90._	Pg48	75	61	22	11	70

CODE	NPT	ØA	ØB	C	ØD	L
ET.N12._	1/4"	30	16	12	6,5	30
ET.N16._	3/8"	30	18	12	6,5	30
ET.N20._	1/2"	30	22	12	6,5	30
ET.N25._	3/4"	36	28	15	6,5	35
ET.N32._	1"	52	34	18	9	50
ET.N40._	1"1/4	52	43	18	9	50
ET.N50._	1"1/2	62	50	22	11	60
ET.N63._	2"	75	61	22	11	70
ET.N75._	2"1/2	88	75	22	11	80
ET.N90._	3"	105	90	30	14	100