

BNCS

type



FLAMEPROOF EX D • INCREASED SAFETY EX E • FOR INDOOR & OUTDOOR APPLICATIONS
FOR UNARMoured CABLES • OUTER SHEATH SEAL



1 Cable glands BNCS type (code: BNCS)

The sealing ring blocks the cable on the cable sheath outer diameter. The addition of female thread on the backnut allows the cable gland to be coupled to a conduit fitting.

A backnut that is going to be screwed onto the body of the cable gland serves to block in position the intermediate body.

Metric cable glands are made according to EN 62444 standard. Maintenance and installation operations and product selection must be done in accordance with IEC EN 60079-14 and 17 standards.

Application fields Surface - Group II • Mines - Group I

Approvals / Certifications

ATEX certificate: INERIS 06 ATEX 0014X

Type examination certificate: INERIS 17 ATEX 3009X (Ex nR IIC Gc)

IEC Ex certificate: IEC Ex INE 10.0010X

UKCA certificate: CML 21UKEX1590X;

UKCA certificate (Cat 3): CML 21UKEX1591X

EAC certificate: НАСТХОЛ RU C-IT.АЯ45.В.00909

CCC Ex NEPSI Certificate: Nr. 2021322313003706

Protection type

Ex db IIC • Ex eb II (gas) • Ex tb IIIC (dusts) • Ex db I • Ex eb I (mines)

EPL (Equipment protection level)

Zone 1-2: Mb mines • Gb, Gc gas

Zone 21-22: Db Dc combustible dust

Execution

Ex db IIC • Ex eb II • Ex tb IIIC • Ex db I • Ex eb I Db according to

ATEX: EN IEC 60079-0:2018 • EN 60079-1:2014 •

EN IEC 60079-7:2015/A1:2018 • EN 60079-15:2010 •

EN 60079-31:2014 • EN 60529:1991

IEC Ex: IEC 60079-0:2017 • IEC 60079-1:2014 •

IEC 60079-7:2015/A1:2017 • IEC 60079-15:2017 •

IEC 60079-31:2013 • IEC 60529:1989+A1:1999+A2:2013

5 Ambient temperatures in services: sealing washers materials

EPDM seals + Resin RCN SFR+SFH: -40°C ÷ +100°C (code: **EP**)

Silicone seals + Resin RCN SFR+SFH: -50°C ÷ +149°C (code: **SI**)

EPDM seals + Resin RCN EPR+EPH: -40°C ÷ +100°C (code: **EP**)

Silicone seals + Resin RCN EPR+EPH: -60°C ÷ +150°C (code: **SI**)

Cable type

Unarmoured

6 Available materials

Brass (code: **OT**) • Nickel-plated brass (code: **ON**)

AISI316L Stainless steel (code: **S6**) • Aluminium (code: **AL**)

AVP Steel (code: **AVP**)

Available threads

ISO 262 Metrical • ISO 228 • DIN 40430 Pg

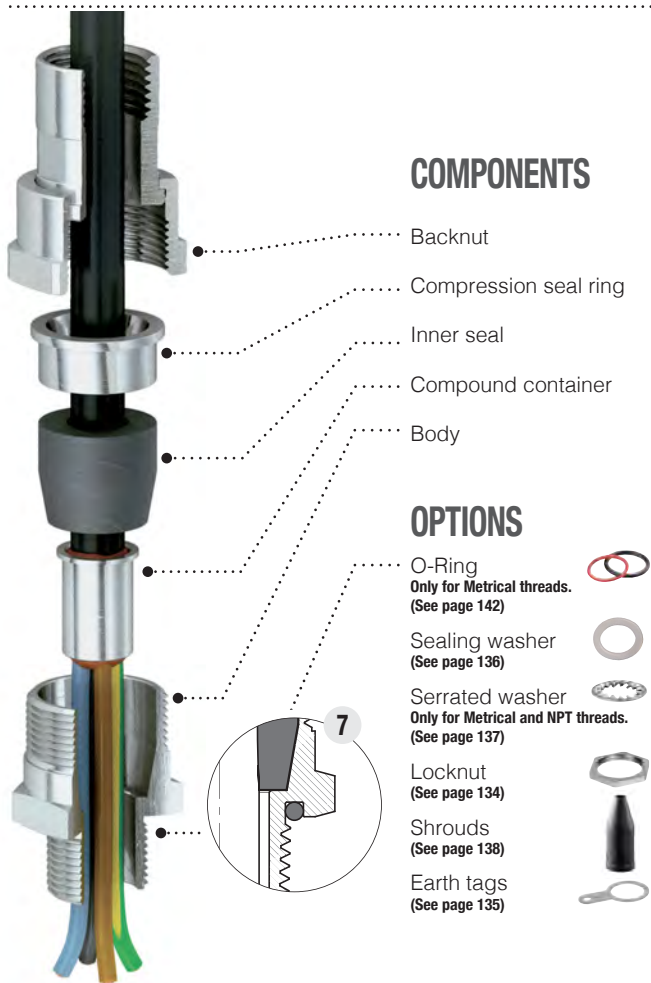
ANSI B1.20.1 NPT • EN 10226 Gk (only for ATEX)

Degree of protection

The cable glands degree of protection is **IP66** or **IP66/68**, 30-meters depth for 7 days according to the IEC EN 60529 standard; the degree of protection IP 68 is obtained by using flat sealing rings on cable glands with cylindrical threads. Without gaskets, the degree of protection is IP 66. If the cable glands with cylindrical or tapered threads are screwed on the threaded hole of an apparatus, in order to guarantee an IP66 or IP66/68 degree of protection, threaded parts must be sealed with Loctite or similar. In order to maintain the IPX8 degree of protection, the cable entry shall be fitted on enclosure which satisfies an immersion test under 30 meters of water during 7 days. Metric cable glands are made in accordance to EN 62444 Standard.


0 Kit version (code: KIT)

Includes cable glands and the requested complete series of the rubber seals accompanying the size.



COMPOUND
Application
Mixing time
Full cure time
Installation

LIQUID

Gun 
 -
 16 to 24 min at 24°C
 Vertical position

SOLID

By hand 
 30 min
 4 hours
 Any Orientation

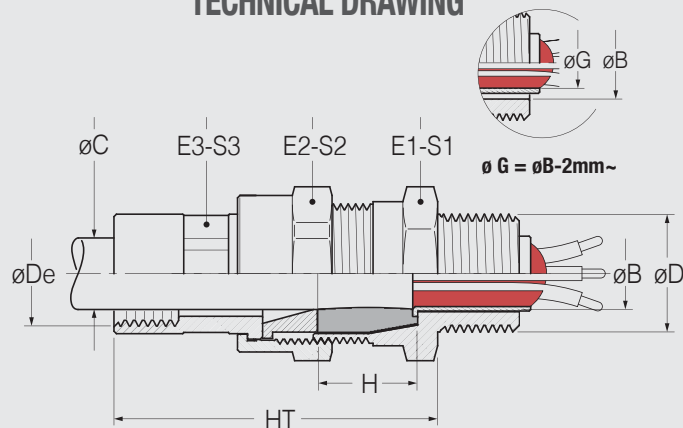
EXAMPLE CODE

See page 56

0 1 2 3 4 4E 5 6 7

KIT.	BNCS	25.	13.	N25.	N25.	EP.	ON.	OR
Optional code	Type	Size	Ø C Max	Ø D Thread code	Ø De Thread code	Seals material code	Material code	Optional code
Kit series			Inner seal (10,5 ÷ 13)	See tab. page 57	See tab. page 57	EP-SI	OT-ON-S6 AL-AVP	O-Ring

TECHNICAL DRAWING



SIZE	Ø C Min - Max Inner seal	Ø D - THREADS					Ø De - THREADS					DIMENSIONS								
		Cylindrical			Tapered		Cylindrical			Tapered		Weight	HT	H	E1	S1	E2	S2	E3	S3
		ISO 262	ISO 228	DIN 40430	NPT	EN 10226	ISO 262	ISO 228	DIN 40430	NPT	EN 10226									
16 (EP)	4 ÷ 7	M12x1,5	1/4"	Pg7	1/4"	1/4"	M12x1,5	1/4"	Pg9	1/4"	1/4"	122	62	20	24	26	24	26	17	18,5
	7 ÷ 10		3/8"	Pg9	3/8"	3/8"		M16x1,5	3/8"	Pg11	3/8"									
16 (SI)	4 ÷ 6	M20x1,5	1/2"	Pg11	1/2"	1/2"	M16x1,5	3/8"	Pg11	3/8"	3/8"	193	65	20	30	33	32	35	22	23,5
	6 ÷ 8		3/4"	Pg13,5	3/4"	3/4"		M20x1,5	1/2"	Pg13,5	1/2"									
20	5,5 ÷ 8	M25x1,5	3/4"	Pg16	3/4"	3/4"	M16x1,5	1/2"	Pg11	1/2"	1/2"	244	67	20	35	38	36	39	27	29
	8 ÷ 10,5		1"	Pg21	1"	1"		M25x1,5	3/4"	Pg21	3/4"									
25	10,5 ÷ 13	M32x1,5	1"	Pg21	1"	1"	M20x1,5	3/4"	Pg16	3/4"	3/4"	428	82	25	42	47	45	49	34	36
	13 ÷ 15,5		1 1/4"	Pg29	1 1/4"	1 1/4"		M32x1,5	1"	Pg21	1"									
32	15,5 ÷ 18	M40x1,5	1 1/4"	Pg29	1 1/4"	1 1/4"	M16x1,5	1/2"	Pg13,5	1/2"	1/2"	655	86	25	52	57,2	55	60	42	45
	18 ÷ 21		1 1/2"	Pg36	1 1/2"	1 1/2"		M40x1,5	1 1/4"	Pg29	1 1/4"									
40	21 ÷ 24	M50x1,5	1 1/2"	Pg36	1 1/2"	1 1/2"	M20x1,5	3/4"	Pg16	3/4"	3/4"	739	86	25	57	62	60	66	47	50,5
	24 ÷ 27		2"	Pg42	2"	2"		M50x1,5	1 1/2"	Pg36	1 1/2"									
50	27 ÷ 30	M63 x 1,5	2"	Pg42	2"	2"	M40x1,5	1 1/4"	Pg29	1 1/4"	1 1/4"	1107	89	25	70	77	73	80	59	62,5
	30 ÷ 33		2 1/2"	Pg48	2 1/2"	2 1/2"		M63 x 1,5	2"	Pg42	2"									
63	36 ÷ 39	M75x1,5	2 1/2"	Pg48	2 1/2"	2 1/2"	M25x1,5	3/4"	Pg16	3/4"	3/4"	1934	89	25	88	96,8	92	100	74	78
	39 ÷ 42		3"	/	3"	3"		M75x1,5	2 1/2"	Pg48	2 1/2"									
75	45 ÷ 48	M90x2	3"	/	3"	3"	M40x1,5	1 1/4"	Pg29	1 1/4"	1 1/4"	3195	104	30	105	115,5	108	115,5	88	94
	48 ÷ 51		3"	/	3"	3"		M90x2	3"	/	3"									
90a	54 ÷ 58	M90x2	3"	/	3"	3"	M50x1,5	1 1/2"	Pg36	1 1/2"	1 1/2"	3005	104	30	105	115,5	108	115,5	88	94
90b	58 ÷ 62		3"	/	3"	3"		M75x1,5	2 1/2"	Pg48	2 1/2"									
	60 ÷ 64																			
	64 ÷ 68																			

• Standard Threads in bold • Dimensions are in millimeters • Weight in grams (gr) of brass version