



EXAMPLE CODE

G.	R12.	NY
Ear tag code	Thread code	Material code
		• ⋮
NY	Nylon	
SI	Silicone	
PT	PTFE	

CODE	EN 10226	ØA	ØB
G.R12_	1/4"	20,0	14,0
G.R16_	3/8"	25,0	18,0
G.R20_	1/2"	30,0	22,0
G.R25_	3/4"	35,0	27,5
G.R32_	1"	45,0	34,5
G.R40_	1"1/4	50,0	43,0
G.R50_	1"1/2	60,0	49,0
G.R63_	2"	70,0	60,5
G.R75_	2"1/2	85,0	76,5
G.R90_	3"	104,0	89,5

CODE	DIN 40430	ØA	ØB
G.P12_	Pg7	20	13
G.P16_	Pg9	25	16
G.P20_	Pg11	30	19
G.P25_	Pg13,5	30	21,5
G.P32_	Pg16	35	23
G.P40_	Pg21	40	29
G.P50_	Pg29	50	37,5
G.P63_	Pg36	60	47
G.P75_	Pg42	65	54,5
G.P90_	Pg48	70	60,5

Sealing washer (code: G)

When installed according to the provided use and maintenance instructions, the cable glands must be able to provide, together with the enclosure they are secured to, the same degree of protection as the enclosure itself. In order to obtain the required degree of protection, it may be necessary to use a sealing washer according to the outline below.

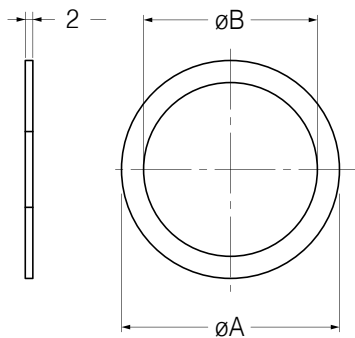
Ambient temperatures in services: Gaskets material

Nylon sealing washer (standard) -40°C ÷ + 100°C

Silicone sealing washer -65°C ÷ + 220°C

PTFE sealing washer -65°C ÷ + 220°C

TECHNICAL DRAWING



CODE	NPT	ØA	ØB
G.N12_	1/4"	20,0	14,5
G.N16_	3/8"	25,0	18,0
G.N20_	1/2"	30,0	22,0
G.N25_	3/4"	35,0	27,0
G.N32_	1"	45,0	34,0
G.N40_	1"1/4	50,0	43,0
G.N50_	1"1/2	60,0	49,0
G.N63_	2"	70,0	61,0
G.N75_	2"1/2	85,0	74,0
G.N90_	3"	104,0	89,5
G.N100_	3"1/2	110,0	102,0

CODE	ISO 262	ØA	ØB
G.I12_	M12x1,5	20	12,5
G.I16_	M16x1,5	25	16,5
G.I20_	M20x1,5	30	20,5
G.I25_	M25x1,5	35	25,5
G.I32_	M32x1,5	42	32,5
G.I40_	M40x1,5	50	40,5
G.I50_	M50x1,5	60	50,5
G.I63_	M63x1,5	76,5	63,5
G.I75_	M75x1,5	85	75,5
G.I90_	M90x2	104	90,5
G.I100_	M100x2	110	100,5

CODE	ISO 228	ØA	ØB
G.B12_	1/4"	20,0	14,0
G.B16_	3/8"	25	17
G.B20_	1/2"	30	21,5
G.B25_	3/4"	35	27
G.B32_	1"	45	34
G.B40_	1"1/4	50	42,5
G.B50_	1"1/2	60	48
G.B63_	2"	70	60,5
G.B75_	2"1/2	85	75,5
G.B90_	3"	104	88,5