

# RN type



FLAMEPROOF EX D • INCREASED SAFETY EX E • FOR INDOOR & OUTDOOR APPLICATIONS  
FOR UNARMoured CABLES • OUTER SHEATH SEAL



## 1 Cable glands RN type (code: RN)

The sealing ring blocks the cable on the cable sheath outer diameter. Metric cable glands are made according to EN 62444 standard. Maintenance and installation operations and product selection must be done in accordance with IEC EN 60079-14 and 17 standards.

**Application fields** Surface - Group II • Mines - Group I

### Approvals / Certifications

ATEX INERIS 06 ATEX 0014X  
Type examination certificate: INERIS 17 ATEX 3009X (Ex nR IIC Gc)  
IEC Ex: IEC Ex INE 10.0010X  
EAC: RU C-IT.AЯ 45.B.00909  
CCC Ex NEPSI Certificate: Nr. 2021322313003706

### Protection type

Ex db IIC • Ex eb II (gas) • Ex tb IIIC (dusts) • Ex db I • Ex eb I (mines)

### EPL (Equipment protection level)

**Zone 1-2:** Mb mines • Gb, Gc gas  
**Zone 21-22:** Db Dc combustible dusts

### Execution

Ex db IIC • Ex eb II • Ex tb IIIC • Ex db I • Ex eb I Db according to  
**ATEX:** EN IEC 60079-0:2018 • EN 60079-1:2014 •  
EN IEC 60079-7:2015/A1:2018 • EN 60079-15:2010 •  
EN 60079-31:2014 • EN 60529:1991  
**IEC Ex:** IEC 60079-0:2017 • IEC 60079-1:2014 •  
IEC 60079-7:2015/A1:2017 • IEC 60079-15:2017 •  
IEC 60079-31:2013 • IEC 60529:1989+A1:1999+A2:2013

## 5 Ambient temperatures in services: sealing washers materials

EPDM seals -40°C ÷ +100°C (code: **EP**)  
Silicone seals -65°C ÷ +220°C (code: **SI**)

### Cable type

Unarmoured

## 6 Available materials

Brass (code: **OT**) • Nickel-plated brass (code: **ON**)  
AISI316L Stainless steel (code: **S6**) • Aluminium (code: **AL**)  
AVP Steel (code: **AVP**)

### Available threads

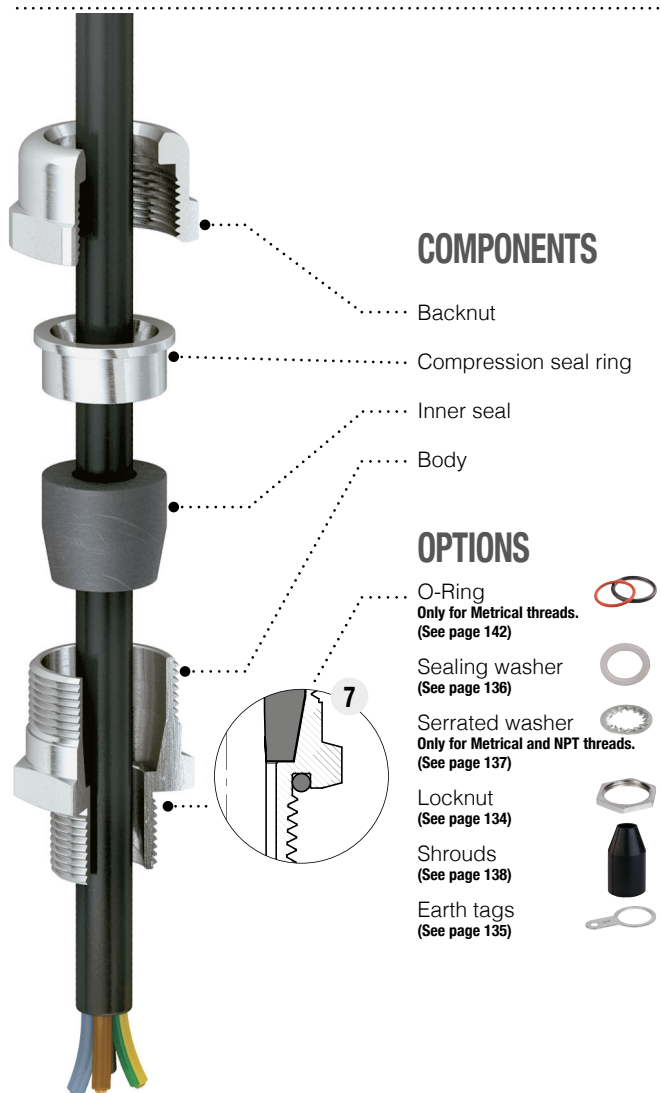
ISO 262 Metrical • ISO 228 • DIN 40430 Pg  
ANSI B1.20.1 NPT • EN 10226 Gk (only for ATEX)

### Degree of protection

The cable glands degree of protection is **IP66** or **IP66/68**, 30-meters depth for 7 days according to the IEC EN 60529 standard; the degree of protection IP 68 is obtained by using flat sealing rings on cable glands with cylindrical threads. Without gaskets, the degree of protection is IP 66. If the cable glands with cylindrical or tapered threads are screwed on the threaded hole of an apparatus, in order to guarantee an IP66 or IP66/68 degree of protection, threaded parts must be sealed with Loctite or similar. In order to maintain the IPX8 degree of protection, the cable entry shall be fitted on enclosure witch satisfies an immersion test under 30 meters of water during 7 days. Metric cable glands are made in accordance to EN 62444 Standard.

## 0 Kit version (code: KIT)

Includes cable glands and the requested complete series of the rubber seals accompanying the size.



## COMPONENTS

- Backnut
- Compression seal ring
- Inner seal
- Body

## OPTIONS

- O-Ring  
Only for Metrical threads.  
(See page 142)
- Sealing washer  
(See page 136)
- Serrated washer  
Only for Metrical and NPT threads.  
(See page 137)
- Locknut  
(See page 134)
- Shrouds  
(See page 138)
- Earth tags  
(See page 135)



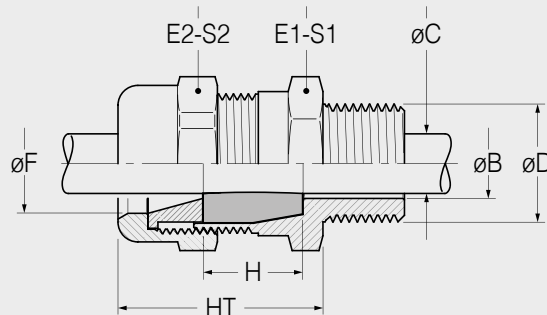
## EXAMPLE CODE

See page 56

## TECHNICAL DRAWING

0 1 2 3 4 5 6 7

KIT	RN.	25.	13.	N25.	EP.	ON.	OR
Optional code	Type	Size	Ø C Max	Thread code	Seals material code	Material code	Optional code
Kit series			Inner seal (10,5 ÷ 13)	See tab. page 57	EP-SI	OT-ON-S6 AL-AVP	O-Ring



SIZE	Ø C Min - Max Inner seal	Ø D - THREADS					DIMENSIONS											
		Cylindrical			Tapered		Weight	F	HT	H	E1		S1		E2		S2	
		ISO 262	ISO 228	DIN 40430	NPT	EN 10226					Ø	H	Ø	H	Ø	H	Ø	H
16 (EP)	4 ÷ 7	M12x1,5	1 / 4"	Pg7 Pg9 <b>Pg11</b> Pg13,5	1 / 4"	1 / 4"	94	16	38	20	24	26	24	26				
	7 ÷ 10		3 / 8"															
16 (SI)	4 ÷ 6	<b>M16x1,5</b> M20x1,5	1 / 2"	Pg11 <b>Pg13,5</b> Pg16	1 / 2"	1 / 2"	156	20	40	20	30	33	32	35				
	6 ÷ 8		3 / 4"		3 / 4"													
20	8 ÷ 10	M16x1,5 <b>M20x1,5</b> M25x1,5	1 / 2"	Pg11 <b>Pg13,5</b> Pg16	1 / 2"	1 / 2"	185	25	40	20	35	38	36	39				
	8 ÷ 10,5		3 / 4"		3 / 4"													
25	10,5 ÷ 13	M20x1,5 <b>M25x1,5</b>	1"	Pg16 Pg21	1"	1"	340	32	52	25	42	47	45	49				
	13 ÷ 15,5		1"		1"													
32	15,5 ÷ 18	M25x1,5 <b>M32x1,5</b>	1"	Pg21 Pg29	1"	1"	421	38	52	25	48	53	50	55				
	18 ÷ 21		1"		1"													
40	21 ÷ 24	<b>M40x1,5</b>	1" 1/4	Pg29	1" 1/4	1" 1/4	537	44	52	25	55	60	57	62				
	24 ÷ 27		1" 1/2		1" 1/2													
50	27 ÷ 30	M40x1,5 <b>M50x1,5</b>	1" 1/2	Pg36	1" 1/2	1" 1/2	749	54	52	25	68	74	67	72				
	30 ÷ 33		2"		2"													
63	36 ÷ 39	M50x1,5 <b>M63 x 1,5</b>	2"	Pg42 Pg48	2"	2"	1085	65	52	25	80	86	80	88				
	39 ÷ 42		2" 1/2		2" 1/2													
75	45 ÷ 48	M63x1,5 <b>M75x1,5</b>	2" 1/2	Pg48	2" 1/2	2" 1/2	2125	74	67	30	100	107	100	107				
	48 ÷ 51		3"		3"													
90a	54 ÷ 58	M75x1,5 <b>M90x2</b>	3"	/	3"	3"	1759	80	67	30	100	107	100	107				
	58 ÷ 62		3"		3"													
90b	60 ÷ 64	M75x1,5 <b>M90x2</b>	3"	/	3"	3"			67	30	100	107	100	107				
	64 ÷ 68		3"		3"													

• Standard Threads in bold • Dimensions are in millimeters • Weight in grams (gr) of brass version