

FLAMEPROOF EX D • INCREASED SAFETY EX E • FOR INDOOR & OUTDOOR APPLICATIONS
FOR UNARMoured CABLES • OUTER SHEATH SEAL



Cable glands KTN type (code: KTN)

The sealing ring blocks the cable on the cable sheath outer diameter. Metric cable glands are made according to EN 62444 standard. Maintenance and installation operations and product selection must be done in accordance with IEC EN 60079-14 and 17 standards.

Application fields Surface - Group II

Approvals / Certifications

ATEX Certificate: INERIS 16 ATEX 0045X
 IECEx Certificate: IECEx INE 16.0054X
 EAC: RU C-IT.A 45.B.00909
 Type examination certificate: INERIS 17 ATEX 3004 (Ex nR IIC Gc)

Protection type

Ex db IIC • Ex eb II (gas) • Ex tb IIIC (dusts)

EPL (Equipment protection level)

Zone 1-2: Gb, Gc gas
Zone 21-22: Db Dc combustible dusts

Execution

Ex db IIC • Ex eb II • Ex tb IIIC
 According to
ATEX: EN 60079-0:2012 • EN 60079-1:2014 • EN 60079-7:2015 • EN 60079-31:2014 • EN 60529:1991
IEC Ex: IEC 60079-0:2011 • IEC 60079-1:2014 • IEC 60079-7:2015 • IEC 60079-15:2010 • IEC 60079-31:2013 • IEC 60529:1989

Ambient temperatures in services: sealing washers materials

Silicone seals -60°C ÷ + 80°C (code: **SI**)

Cable type

Unarmoured

Available materials

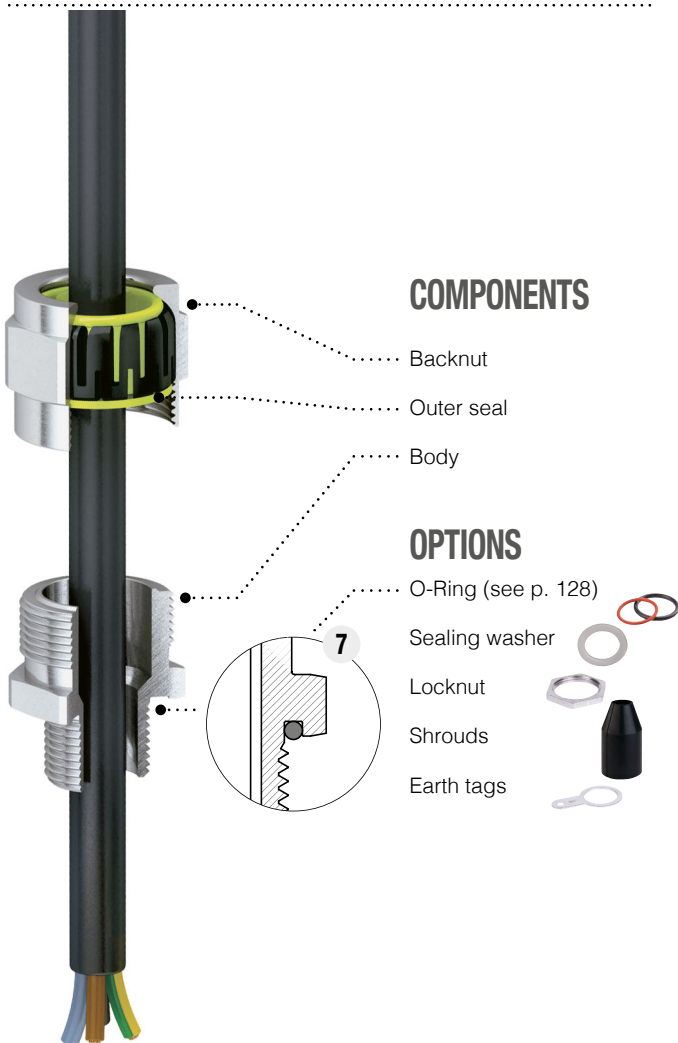
Brass (code: **OT**) • Nickel-plated brass (code: **ON**)
 AISI316L Stainless steel (code: **S6**) • Aluminium (code: **AL**)

Available threads

ISO 262 Metrical
 ANSI B1.20.1 NPT
 Upon request:
 ISO 228
 DIN 40430 Pg
 EN 10226 Gk (only for ATEX)

Degree of protection

The degree of protection assured by the cable entries is **IP66** according to IEC/EN 60529 standard. For cable entries with cylindrical thread the degree of protection IP66 is assured by using either a flat silicone MVQ gasket of a flat PTFE gasket or a SILICONE MVQ O-ring. For cable entries with conical thread the degree of protection IP66 is assured by applying to the threading of sealing LOCTITE 241. Metric cable glands are made in accordance to EN 62444 Standard.



COMPONENTS

- Backnut
- Outer seal
- Body

OPTIONS

- O-Ring (see p. 128)
- Sealing washer
- Locknut
- Shrouds
- Earth tags

EXAMPLE CODE

TECHNICAL DRAWING

KTN.	25.	N25.	SI.	ON.
Type	Size	Thread code	Seals material code	Material code

See tab.
page 19

Silicone

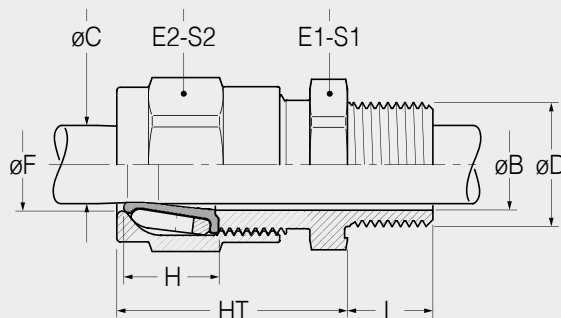
OT	Brass
ON	Nickel-plated brass
S6	AISI316L Stainless steel
AL	Aluminium

7

OR

Optional code

O-Ring



Alternatively to the flat gasket, in order to ensure the degree of IP protection, it is possible to request the "O-Ring version" cable gland.
ISO metrical threads only

SIZE	Ø D - THREADS		CODE	Ø C Min - Max	DIMENSIONS									
	Cylindrical ISO 262	Tapered NPT			Weight	øB	L	HT	H	F	E1	S1	E2	S2
12	M16x1,5		KTN.12.I16.SI_●	6 ÷ 11,4	94	11,4	15	37	15,2	16,3	25	27,4	26	28,6
		3/8"	KTN.12.N16.SI_		98		15,5							
	M20x1,5		KTN.12.I20.SI_		107		15							
16		1/2"	KTN.12.N20.SI_	9 ÷ 15,2	109	15,2	20	37	15,2	16,3	25	27,4	26	28,6
	M20x1,5		KTN.16.I20.SI_		86		15							
20		1/2"	KTN.16.N20.SI_	12,5 ÷ 19,8	95	19,8	20	40,2	17	20,8	30	33	31	34
	M25x1,5		KTN.20.I25.SI_		116		15							
25		3/4"	KTN.20.N25.SI_	16,5 ÷ 26	136	26,6	20,5	44,5	19,4	26,3	36	39	38	41
	M32x1,5		KTN.25.I32.SI_		179		15							
32		1"	KTN.25.N32.SI_	21 ÷ 33,2	210	34,4	25	48,5	22	33,4	45	49	48	51
	M40x1,5		KTN.32.I40.SI_		270		15							
40		1" 1/4	KTN.32.N40.SI_	27,5 ÷ 41,3	316	44	26	51,7	24,2	41,6	55	60	58	63
	M50x1,5		KTN.40.I50.SI_		407		15							
50		1" 1/2	KTN.40.N50.SI_	35,6 ÷ 52,3	493	40,5	26	61,9	27	52,6	68	74	70	74,5
	M63x1,5		KTN.50.I63.SI_		606		15							
63		2"	KTN.50.N63.SI_	46 ÷ 65	782	52	27	64,2	29,4	65,4	82	89	85	88
	M75x1,5		KTN.63.I75.SI_		857		15							
75		2" 1/2	KTN.63.N75.SI_	56 ÷ 78	1203	62,5	40	68,7	31	78,5	100	109	100	104,8
	M90x2		KTN.75.I90.SI_		1329		20							
90		3"	KTN.75.N90.SI_	72 ÷ 90	1741	78	41,5	71,7	31,2	91	110	119	115	119,4
	M100x2		KTN.90.I100.SI_		1687		20							
		3" 1/2	KTN.90.N100.SI_		2098	90	43							

• Standard Threads in bold • Dimensions are in millimeters • Weight in grams (gr) of brass version •