



Earth tags (code: ET)

The earth tags are used to earth the protection and are installed between the cable gland and the electrical equipment.

Available materials

Nickel-plated brass (code: **ON**)

AISI316L Stainless steel (code: **S6**)

EXAMPLE CODE

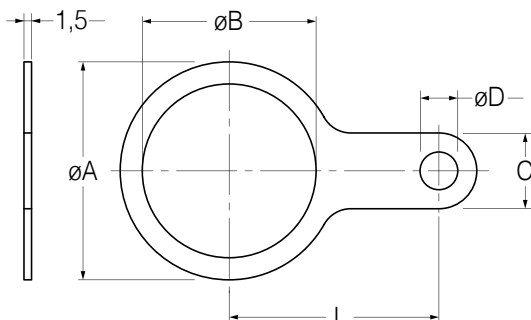
ET. B75. ON

| Earth tag code | Thread code | Material code |
|----------------|-------------|---------------|
| ET | B75 | ON |

ON Nickel-plated brass

S6 AISI316L Stainless steel

TECHNICAL DRAWING



| CODE | ISO 262 | ØA | ØB | C | ØD | L |
|----------|---------|-----|----|----|-----|-----|
| ET.I12._ | M12x1,5 | 30 | 14 | 12 | 6,5 | 30 |
| ET.I16._ | M16x1,5 | 30 | 18 | 12 | 6,5 | 30 |
| ET.I20._ | M20x1,5 | 30 | 22 | 12 | 6,5 | 30 |
| ET.I25._ | M25x1,5 | 36 | 28 | 15 | 6,5 | 35 |
| ET.I32._ | M32x1,5 | 52 | 34 | 18 | 9 | 50 |
| ET.I40._ | M40x1,5 | 52 | 42 | 18 | 9 | 50 |
| ET.I50._ | M50x1,5 | 62 | 52 | 22 | 11 | 60 |
| ET.I63._ | M63x1,5 | 75 | 65 | 22 | 11 | 70 |
| ET.I75._ | M75x1,5 | 88 | 77 | 22 | 11 | 80 |
| ET.I90._ | M90x2 | 105 | 92 | 30 | 14 | 100 |

| CODE | ISO 228 | ØA | ØB | C | ØD | L |
|----------|---------|-----|----|----|-----|-----|
| ET.B12._ | 1/4" | 30 | 16 | 12 | 6,5 | 30 |
| ET.B16._ | 3/8" | 30 | 18 | 12 | 6,5 | 30 |
| ET.B20._ | 1/2" | 30 | 22 | 12 | 6,5 | 30 |
| ET.B25._ | 3/4" | 36 | 28 | 15 | 6,5 | 35 |
| ET.B32._ | 1" | 52 | 34 | 18 | 9 | 50 |
| ET.B40._ | 1"1/4 | 52 | 43 | 18 | 9 | 50 |
| ET.B50._ | 1"1/2 | 62 | 50 | 22 | 11 | 60 |
| ET.B63._ | 2" | 75 | 61 | 22 | 11 | 70 |
| ET.B75._ | 2"1/2 | 88 | 77 | 22 | 11 | 80 |
| ET.B90._ | 3" | 105 | 90 | 30 | 14 | 100 |

| CODE | DIN 40430 | ØA | ØB | C | ØD | L |
|----------|-----------|----|----|----|-----|----|
| ET.P12._ | Pg7 | 30 | 14 | 12 | 6,5 | 30 |
| ET.P16._ | Pg9 | 30 | 16 | 12 | 6,5 | 30 |
| ET.P20._ | Pg11 | 30 | 20 | 12 | 6,5 | 30 |
| ET.P25._ | Pg13,5 | 30 | 22 | 12 | 6,5 | 30 |
| ET.P32._ | Pg16 | 36 | 24 | 15 | 6,5 | 35 |
| ET.P40._ | Pg21 | 52 | 30 | 18 | 9 | 50 |
| ET.P50._ | Pg29 | 52 | 38 | 18 | 9 | 50 |
| ET.P63._ | Pg36 | 62 | 49 | 22 | 11 | 60 |
| ET.P75._ | Pg42 | 75 | 56 | 22 | 11 | 70 |
| ET.P90._ | Pg48 | 75 | 61 | 22 | 11 | 70 |

| CODE | NPT | ØA | ØB | C | ØD | L |
|----------|-------|-----|----|----|-----|-----|
| ET.N12._ | 1/4" | 30 | 16 | 12 | 6,5 | 30 |
| ET.N16._ | 3/8" | 30 | 18 | 12 | 6,5 | 30 |
| ET.N20._ | 1/2" | 30 | 22 | 12 | 6,5 | 30 |
| ET.N25._ | 3/4" | 36 | 28 | 15 | 6,5 | 35 |
| ET.N32._ | 1" | 52 | 34 | 18 | 9 | 50 |
| ET.N40._ | 1"1/4 | 52 | 43 | 18 | 9 | 50 |
| ET.N50._ | 1"1/2 | 62 | 50 | 22 | 11 | 60 |
| ET.N63._ | 2" | 75 | 61 | 22 | 11 | 70 |
| ET.N75._ | 2"1/2 | 88 | 75 | 22 | 11 | 80 |
| ET.N90._ | 3" | 105 | 90 | 30 | 14 | 100 |