

SEALS

Inner & Outer



FLAMEPROOF EX D • INCREASED SAFETY EX E • FOR INDOOR & OUTDOOR APPLICATIONS

1 INNER SEAL



2 OUTER SEAL (type: 1)



3 OUTER SEAL (type: 2)



Inner & Outer seals

In the table please find the codes and dimensions of the exchange seals available individually. These are available in EPDM and in SILICONE.

Main regulatory requirements:

The exchange seals can only be installed on RCN series R, series B and series S cable glands.

RCN is not responsible for any other type of use.

Application fields Surface - Group II • Mines - Group I

Approvals / Certifications

ATEX INERIS 06 ATEX 0014X

IEC Ex: IEC Ex INE 10.0010X

EAC: RU C-IT. AR 45.B.00081

Protection type

Exd IIC • Ex e II (gas) • Ex tb IIIC (dusts) • Ex d I • Ex e I (mines)

EPL (Equipment protection level)

Zone 1-2: Mb mines • Gb, Gc gas

Zone 21-22: Db Dc combustible dusts

Execution

Ex d IIC • Ex e II • Ex tb IIIC • Ex d I • Ex e I Db

according to

ATEX: EN 60079-0:2009 • EN 60079-1:2007 • EN 60079-7:2007 •

EN 60079-31:2009 • EN 60529:1991

IEC Ex: IEC 60079-0:2011 • IEC 60079-1:2007 • IEC 60079-7:2006 •

IEC 60079-31:2008 • IEC 60529:2001

Ambient temperatures in services: Seals material

EPDM seals -40°C ÷ + 100°C

Silicone seals - 70°C ÷ +220°C

EXAMPLE CODE

20042. EP

Seal
code

Material
code

EP

EPDM

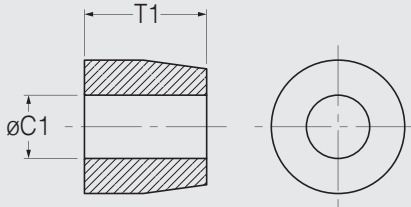
SI

Silicone

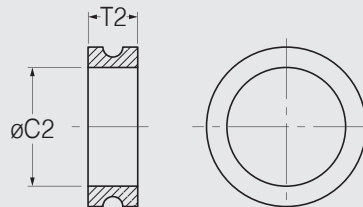
FOR R, B & S SERIES ONLY

TECHNICAL DRAWINGS & DIMENSIONS

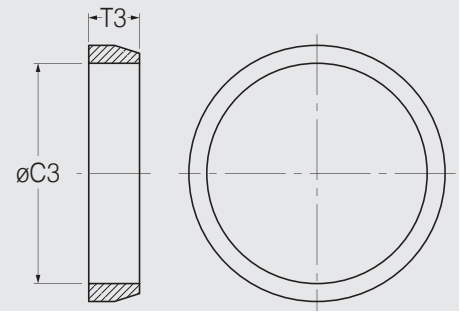
1 INNER SEAL



2 OUTER SEAL (type: 1)



3 OUTER SEAL (type: 2)



SIZE	CODE	ØC1 Min	ØC1 Max	T1
16	20002EP	4	7	20
	20003EP	7	10	
	20004SI	4	6	
	20005SI	6	8	
	20006SI	8	10	
	20010_	5,5	8	
20	20011_	8	10,5	20
	20012_	10,5	13	
25	20023_	8	10,5	20
	20020_	10,5	13	
	20021_	13	15,5	
	20022_	15,5	18	
32	20033_	13	15,5	25
	20030_	15	18	
	20031_	18	21	
	20032_	21	24	
	20040_	21	24	
	20041_	24	27	
40	20042_	27	30	25
	20052_	24	27	
	20053_	27	30	
	20050_	30	33	
	20051_	33	36	
63	20060_	36	39	25
	20061_	39	42	
	20062_	42	45	
	20070_	45	48	
75	20071_	48	51	25
	20072_	51	54	
90a	20080_	54	58	30
	20081_	58	62	
90b	20082_	60	64	30
	20083_	64	68	

SIZE	CODE	ØC2 Min	ØC2 Max	T2
16	20300_	10	15	8
	20301_	5	10	
20	20310_	10	15	10
	20311_	14	19	
25	20320_	15	20	10
	20321_	19	24	
32	20330_	20	26	13
	20331_	25	31	
40	20340_	26	32	13
	20341_	31	37	
50	20350_	31	37	13
	20351_	36	43	
63	20360_	42	48	13
	20361_	47	53	
75	20370_	52	58	13
	20371_	58	64	

SIZE	CODE	ØC3 Min	ØC3 Max	T3
90a	20380_	64	72	22
90b	20381_	70	78	

SEALS MARKING

