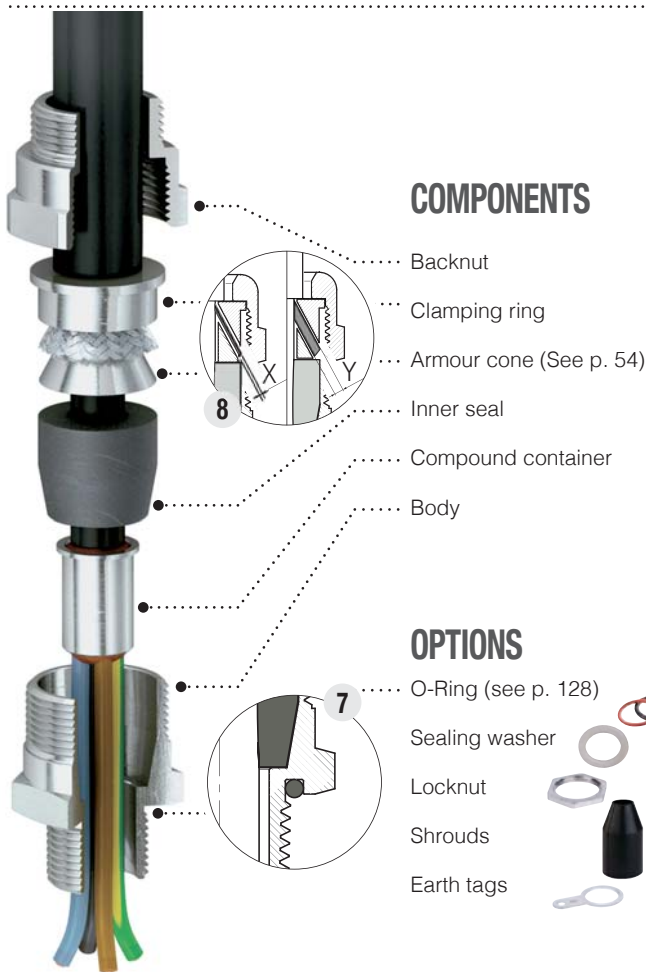


BAM type



FLAMEPROOF EX D • INCREASED SAFETY EX E • FOR INDOOR & OUTDOOR APPLICATIONS
FOR ARMoured CABLES • INNER AND OUTER SEALING



COMPONENTS

- Backnut
- Clamping ring
- Armour cone (See p. 54)
- Inner seal

- Compound container
- Body

OPTIONS

- O-Ring (see p. 128)
- Sealing washer
- Locknut
- Shrouds
- Earth tags

1 Cable glands BAM type (code: BAM)

Flameproof Ex d Barrier Cable Glands sealed with sealing compound. The sealing ring blocks the cable on the diameter under armour. The cone rings grips and grounds the cable armour. The addition of male threads on the backnut allows the cable gland to be coupled to a conduit fitting. Cable glands EMC tested by triaxial method, according to IEC 62153-4-3, IEC 62153-4-4 standards. Metric cable glands are made according to EN 62444 standards. Maintenance and installation operations and product selection must be done in accordance with IEC EN 60079-14 and 17 standards.

Application fields Surface - Group II • Mines - Group I

Approvals / Certifications

ATEX INERIS 06 ATEX 0014X
IEC Ex: IEC Ex INE 10.0010X
EAC: RU C-IT.AЯ 45.B.00081

Protection type

Exd IIC • Ex e II (gas) • Ex tb IIIC (dusts) • Ex d I • Ex e I (mines)

EPL (Equipment protection level)

Zone 1-2: Mb mines • Gb, Gc gas
Zone 21-22: Db Dc combustible dusts

Execution

Ex d IIC • Ex e II • Ex tb IIIC • Ex d I • Ex e I Db
according to

ATEX: EN 60079-0:2009 • EN 60079-1:2007 • EN 60079-7:2007 • EN 60079-31:2009 • EN 60529:1991

IEC Ex: IEC 60079-0:2011 • IEC 60079-1:2007 • IEC 60079-7:2006 • IEC 60079-31:2008 • IEC 60529:2001

5 Ambient temperatures in services: sealing washers materials

EPDM seals + Resin CW1302+HY1300: -40°C ÷ + 100°C (code: **EP**)
Silicone seals + Resin CW1302+HY1300: -65°C ÷ + 180°C (code: **SI**)
EPDM seals + Resin RCN EPR+EPH: -40°C ÷ + 100°C (code: **EP**)
Silicone seals + Resin RCN EPR+EPH: -60°C ÷ + 150°C (code: **SI**)

Cable type

Armoured: Single armoured cable SWA, Aluminium wire armoured cable AWA, Aluminium strip armoured ASA. Single wire braided cable SWB, Steel tape armored cable STA, Pliable wire armoured cable PWA. Screened flexible wire braided cable CY-SY

Reduced cone available for SWA armoured cables.

6 Available materials

Brass (code: **OT**) • Nickel-plated brass (code: **ON**)
AISI316L Stainless steel (code: **S6**) • Aluminium (code: **AL**)
AVP Steel (code: **AVP**)

Available threads

ISO 262 Metrical • ISO 228 • DIN 40430 Pg
ANSI B1.20.1 NPT • EN 10226 Gk (only for ATEX)

Degree of protection

The cable glands degree of protection is **IP66** or **IP66/68**, 30-meters depth for 7 days according to the IEC EN 60529 standard; the degree of protection IP 68 is obtained by using flat sealing rings on cable glands with cylindrical threads. Without gaskets, the degree of protection is IP 66. If the cable glands with cylindrical or tapered threads are screwed on the threaded hole of an apparatus, in order to guarantee an IP66 or IP66/68 degree of protection, threaded parts must be sealed with Loctite or similar. In order to maintain the IPX8 degree of protection, the cable entry shall be fitted on enclosure witch satisfies an immersion test under 30 meters of water during 7 days. Metric cable glands are made in accordance to EN 62444 Standard.

0 Kit version (code: KIT)

Includes cable glands and the requested complete series of the rubber seals accompanying the size.



COMPOUND
Application
Mixing time
Gel time
Full cure time
Installation

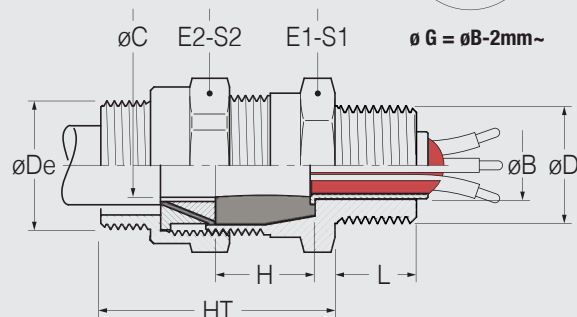
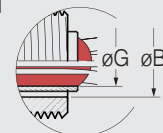
LIQUID
Gun
2 min
80 min
24 hours
Vertical position

SOLID
By hand
30 min
-
4 hours
Any Orientation

EXAMPLE CODE

See page 54

TECHNICAL DRAWING



0 1 2 3 4 4E 5 6 7 8

KIT	BAM.	25.	13.	N25.	N25.	EP.	ON.	OR.	BS
Optional code	Type	Size	Ø C Max	Thread code	Thread code	Seals material code	Material code	Optional code	Optional code
Kit series			Inner seal (10,5 ÷ 13)	See tab. page 55	See tab. page 55	EP-SI	OT-ON-S6 AL-AVP	O-Ring	Reduced cone

SIZE	Ø C Min - Max Inner seal	ARMOUR RANGE		Ø D - THREADS					Ø De - THREADS					DIMENSIONS								
		Standard cone X*	Reduced cone Y**	Cylindrical			Tapered		Cylindrical			Tapered		Weight	F	HT	H	E1	S1	E2	S2	
				ISO 262	ISO 228	DIN 40430	NPT	EN 10226	ISO 262	ISO 228	DIN 40430	NPT	EN 10226									
16 (EP)	4 ÷ 7 7 ÷ 10	0 ÷ 0,5	0,5 ÷ 0,75	M12x1,5	1 / 4"	Pg7	1 / 4"	1 / 4"	M16x1,5	3 / 8"	/	3 / 8"	/	101	46	20	24	26	24	26	26	
16 (SI)	4 ÷ 6 6 ÷ 8 8 ÷ 10			M16x1,5	3 / 8"	Pg9	3 / 8"	3 / 8"														M20x1,5
20	5,5 ÷ 8 8 ÷ 10,5 10,5 ÷ 13	0 ÷ 0,5	0,5 ÷ 1,25	M16x1,5	1 / 2"	Pg11	1 / 2"	1 / 2"	M20x1,5	3 / 4"	/	1 / 2"	/	174	47	20	30	33	32	35	35	
25	8 ÷ 10,5 10,5 ÷ 13 13 ÷ 15,5 15,5 ÷ 18	0 ÷ 0,5	0,5 ÷ 1,25	M20x1,5	3 / 4"	Pg16	3 / 4"	3 / 4"	M25x1,5	3 / 4"	/	3 / 4"	/	206	47	20	35	38	36	39	39	
	25			13 ÷ 15,5	M25x1,5	1"	Pg21	1"														1"
40	21 ÷ 24 24 ÷ 27 27 ÷ 30	0 ÷ 1	1 ÷ 1,6	M40x1,5	1" 1/4	Pg29	1" 1/4	1" 1/4	M40x1,5	1" 1/4	/	1" 1/4	/	431	61	25	48	53	50	55	55	
	40			24 ÷ 27	M40x1,5	1" 1/2	Pg36	1" 1/2														1" 1/2
63	27 ÷ 30 30 ÷ 33 33 ÷ 36	0 ÷ 1	1 ÷ 2	M50x1,5	2"	Pg42	2"	2"	M63 x 1,5	2"	/	2"	/	784	61	25	68	74	67	73	72	
	63			39 ÷ 42 42 ÷ 45	M63x1,5	2" 1/2	Pg48	2" 1/2														2" 1/2
90a	45 ÷ 48 48 ÷ 51 51 ÷ 54	0 ÷ 1	1 ÷ 2	M75x1,5	3"	/	3"	3"	M90x2	3"	/	3"	/	2235	79	30	100	107	100	107	107	
	90a			54 ÷ 58 58 ÷ 62	M90x2	3"	/	3"														3"
90b	60 ÷ 64 64 ÷ 68	0 ÷ 2	2 ÷ 2,5																			

• Standard Threads in bold • Dimensions are in millimeters • Weight in grams (gr) of brass version

* Standard cone X: Suitable for all approved armour cables except SWA cables ** 8 Reduced cone Y: Suitable for SWA cables (code: BS)